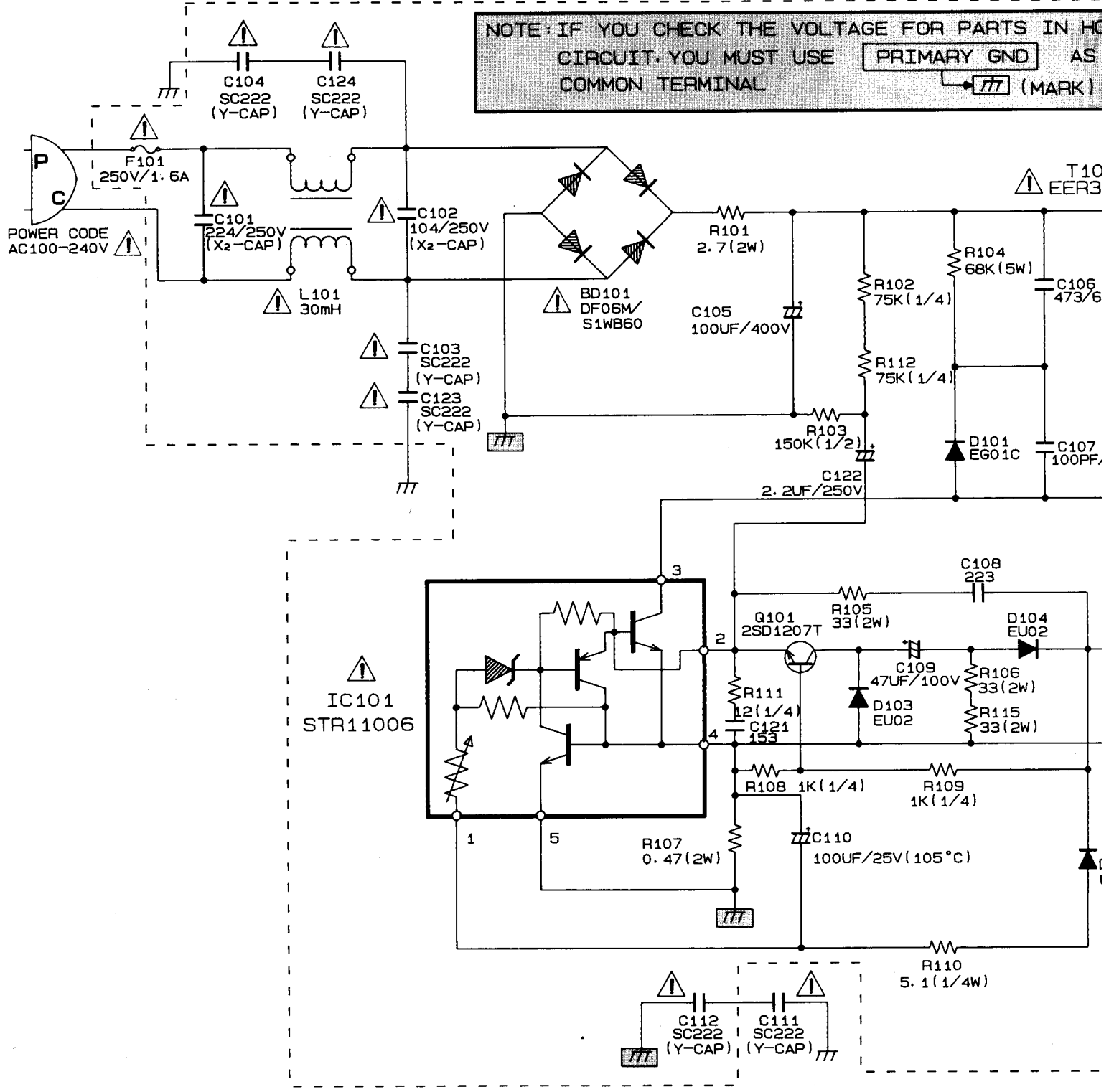


REGULATOR

9-1. Regulator

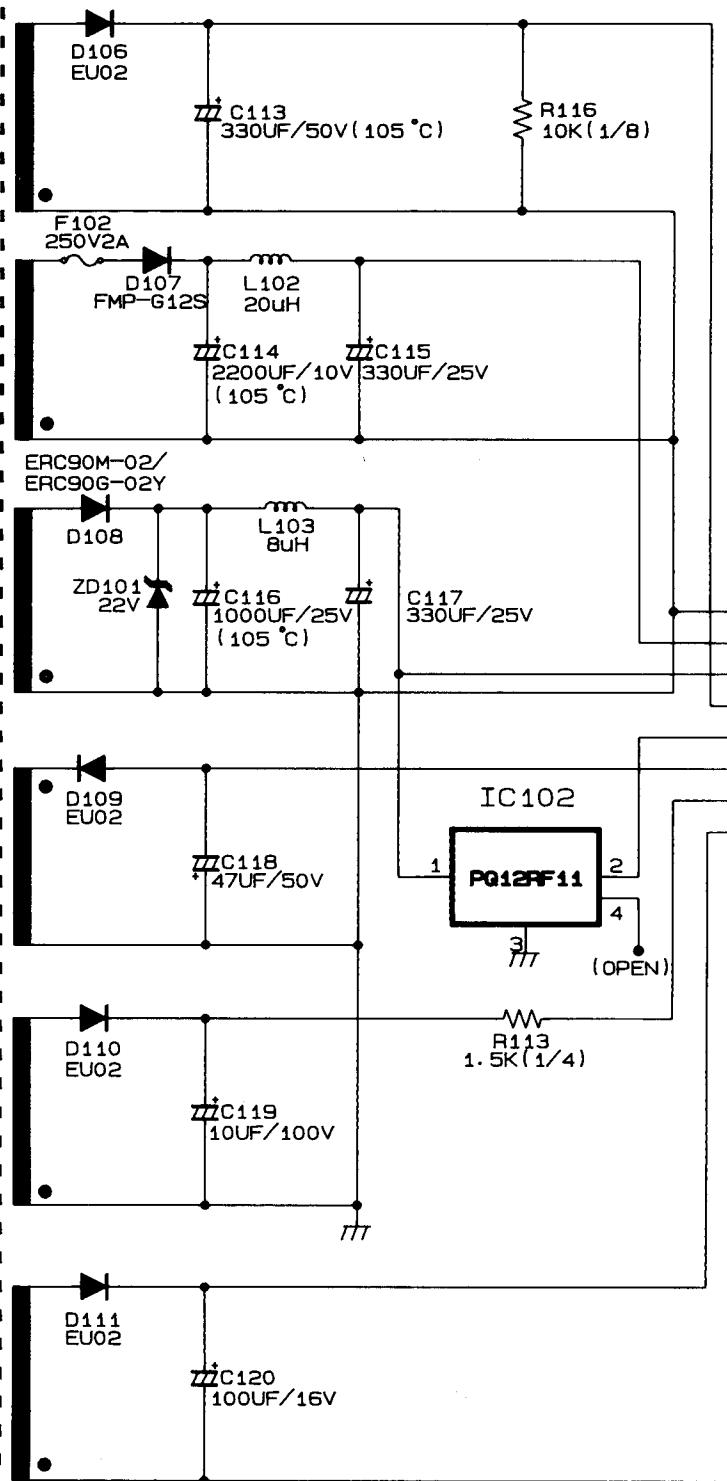
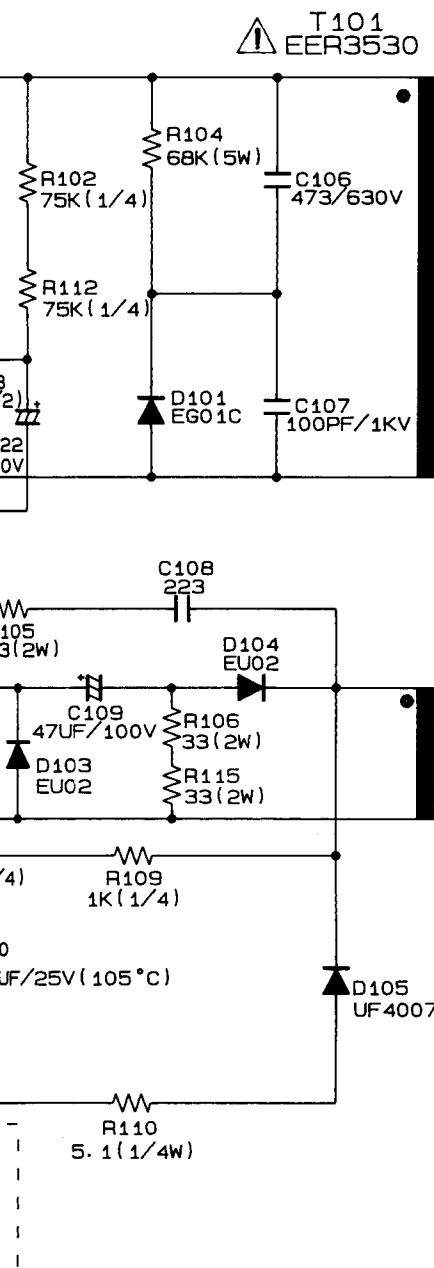


Handwritten notes at the bottom of the page, including "Display" and "also see manual".

SPECIAL NOTE
All integrated circuits and many of devices are electrostatically sensitive. Observe the special handling technique the "electrostatically sensitive (ES) this service manual."

REGULATOR

PAGE FOR PARTS IN HOT
PRIMARY GND AS A
⚡ (MARK)



CN101

1	GND
2	6.5V
3	16.5V
4	21V
5	AL 12V
6	-30V
7	33V
8	+4.4V
9	-4.4V

TO POWER
CN151

SPECIAL NOTE

All integrated circuits and many other semiconductor devices are electrostatically sensitive and therefore require the special handling techniques described under the "electrostatically sensitive (ES) devices" section of this service manual.

NOTE

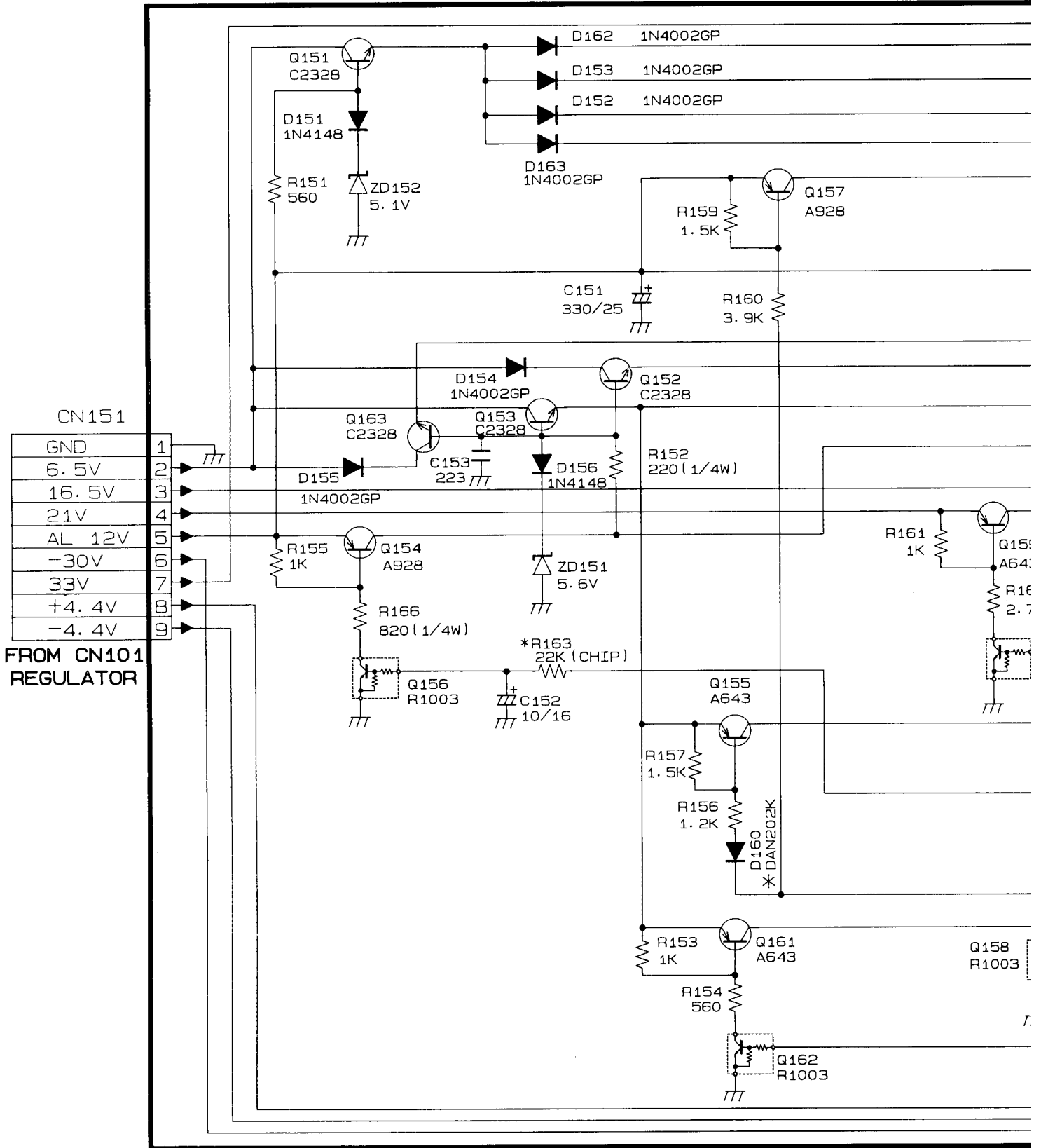
Do not use the part number shown on this drawing for ordering. The correct part number is shown in the parts list. And may be slightly different or amended since this drawing was prepared.

IMPORTANT SAFETY NOTICES

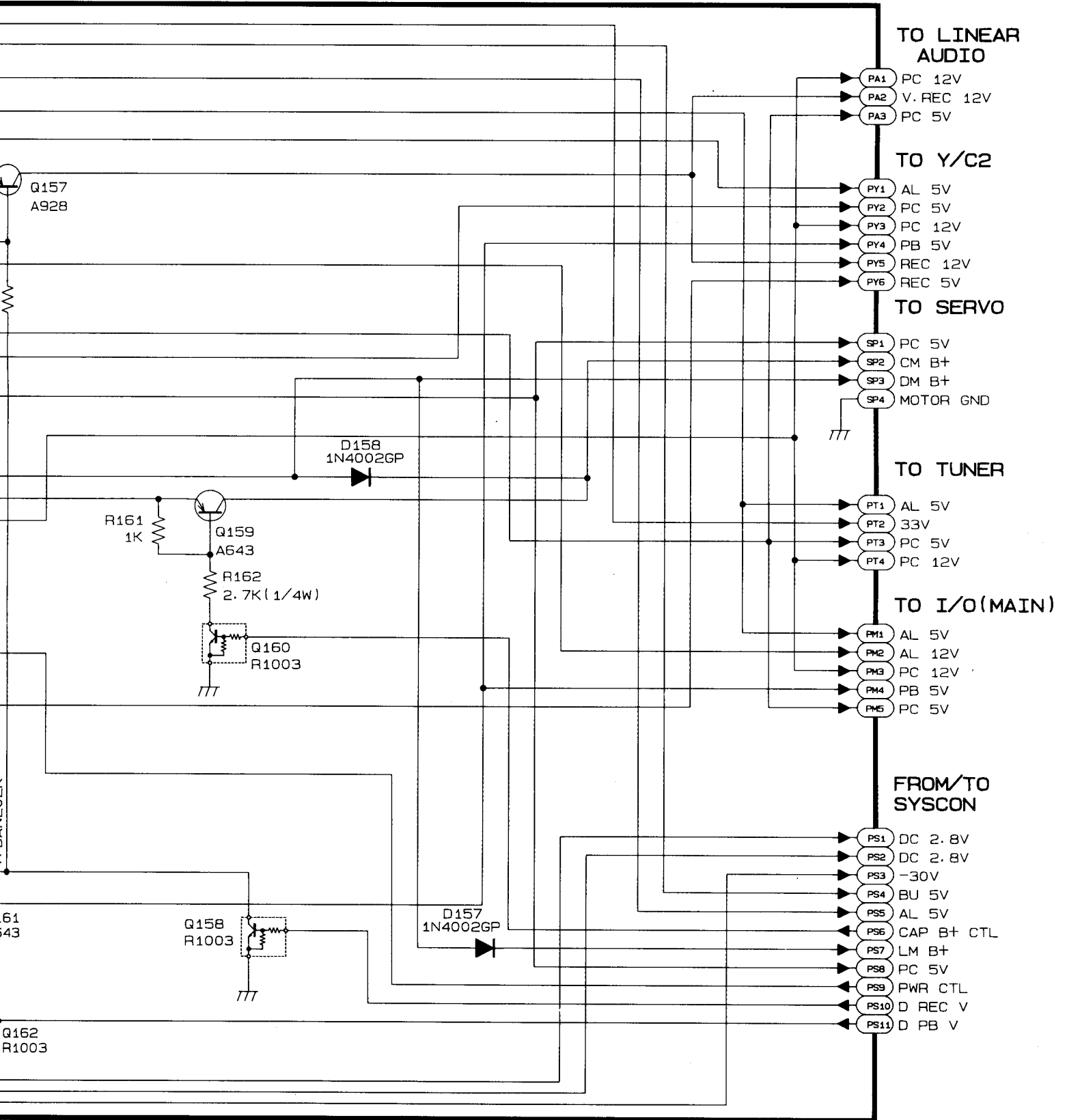
Components identified with the mark ⚡ have the special characteristics for safety when replacing any of these components. Use only the same type.

POWER

9-2. Power



POWER



SPECIAL NOTE

All integrated circuits and many other semiconductor devices are electrostatically sensitive and therefore require the special handling techniques described under the "electrostatically sensitive (ES) devices" section of this service manual.

NOTE

Do not use the part number shown on this drawing for ordering. The correct part number is shown in the parts list. And may be slightly different or amended since this drawing was prepared.